

Job:	Engineer:
Location:	Architect:
Schedule No.:	Date:
System Designation:	For: <input type="checkbox"/>Reference <input type="checkbox"/>Approval <input type="checkbox"/>Review <input type="checkbox"/>Construction

FEATURES

- | | | |
|--|--|--|
| <ul style="list-style-type: none"> All DC Inverter Technology Floating Evaporating Temperature Multi Silent Mode Back Up Operation Selectable High ESP (Optional) | <ul style="list-style-type: none"> Wide Application Range Capacity Output Limitation Multi Priority Mode Auto Dust Cleaning (Optional) Anti-corrosion Protection (Optional) | <ul style="list-style-type: none"> Auto Addressing Intelligent Duty Cycle Operation Real-time Refrigerant Amount Monitoring Auto Refrigerant Charging (Optional) |
|--|--|--|

SPECIFICATIONS

PERFORMANCE

Cooling Capacity (1)	HP	8
	Btu/h	86,000
	kW	25.2
EER	Btu/W*h	4.7
Power Input Cooling	kW	5.36
Heating capacity (2)	Btu/h	92,100
	kW	27.0
COP	Btu/W*h	5.6
Power Input Heating	kW	4.82

ELECTRICAL DATA

Power Supply	V/Ph/Hz	220/3/60
Minimum Circuit Ampacity	A	35
Total Over-current Amps.	A	41.6
Max Fuse Amps	A	40
Compressor RLA	A	17.3
No. Compressors		1
Outdoor Fan Power Input	W	465
Outdoor Fan FLA	A	4.6

GENERAL DATA

Connection Ratio	%	50-130%
Max Indoor Units		13
Sound Pressure Level (4)	dB(A)	58
Outdoor Fan Air Volume	m3/h (CFM)	12000 (7062)
Refrigerant Type		R410A
Factory refrigerant charge	Kg (Lbs)	9(20)

DIMENSIONS

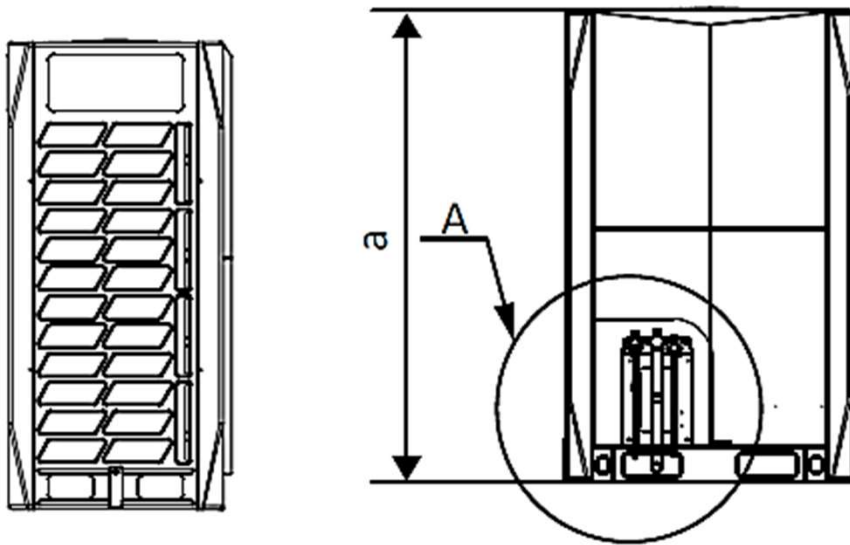
Unit Dimensions mm (inch) WxHxD	Net	990×1635×790 (39×64-3/8×31-1/8)
	Packed	1090×1805×860 (42-7/8×71-1/16×33-7/8)
Liquid Pipe Connection (3)	mm (inch)	Φ12.7 (Φ1/2")
Gas Pipe Connection (3)	mm (inch)	Φ25.4 (Φ1")
Oil balance Pipe	mm (inch)	Φ6.35 (Φ1/4")
Net Weight	Kg (Lbs)	219 (483)
Shipping Weight	Kg (Lbs)	234 (516)



Notes:

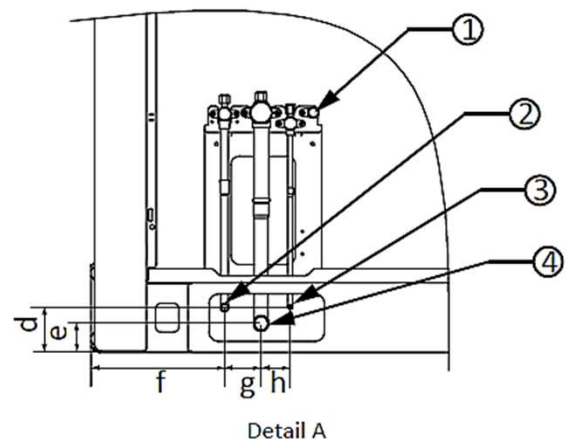
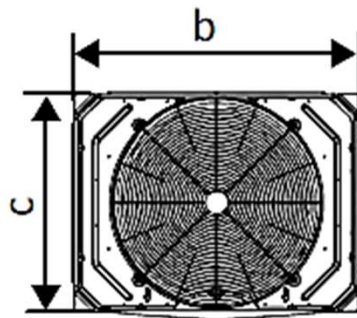
1. Indoor air temperature 27°C (80.6°F) DB, 19°C (66.2°F) WB; outdoor air temperature 35°C (95.0°F) DB; equivalent refrigerant piping length 7.5m (24.6ft.) with zero level difference.
2. Indoor air temperature 20°C (68.0°F) DB; outdoor air temperature 7°C (44.6°F) DB, 6°C (42.8°F) WB; equivalent refrigerant piping length 7.5m (24.6ft.) with zero level difference.
3. Diameters given are those of the unit's stop valve.
4. Sound pressure level is measured at a position 1m (3.28ft.) in front of the unit and 1.3m (4.26ft.) above the floor in a semi-anechoic chamber.

DIMENSIONAL DRAWINGS - INCHES (MM)



Dimensions (unit: mm (in.))

a	1635 (64-3/8")
b	990 (39")
c	790 (31-1/8")
d	77 (3-1/32")
e	50 (1-15/16")
f	229 (9")
g	63 (2-1/2")
h	50 (1-15/16")



Legend		
No.	Parts Name	Remarks
1	Check Ports	The check port is used to measure system pressure, charge refrigerant and vacuumize the system.
2	Liquid Pipe connection port	Φ12.7mm (Φ1/2") brazed connection on CTVS-EMO-H-086-E-CE-DC-1 and CTVS-EMO-H-096-E-CE-DC-1 Φ15.9mm (Φ5/8") brazed connection on CTVS-EMO-H-120-E-CE-DC-1
3	Oil balance connection port	The oil balance pipe runs between outdoor units. Φ8mm (Φ5/16") brazed connection.
4	Gas Pipe connection port	Φ25.4mm (Φ1") brazed connection on CTVS-EMO-H-086-E-CE-DC-1 and CTVS-EMO-H-096-E-CE-DC-1 Φ28.6mm (Φ1-1/8") brazed connection on CTVS-EMO-H-120-E-CE-DC-1

Note – Due to Comfort Time ongoing commitment to quality, specifications, ratings and dimensions are subject to change without notice and without incurring liability. Improper installation, adjustment, alteration, service, Maintenance and operation may cause properly damage on personal injury. Installation, service and operation must be performed by a qualified installer, servicing and operation agency.