

Job:	Engineer:
Location:	Architect:
Schedule No.:	Date:
System Designation:	For: <input type="checkbox"/> Reference <input type="checkbox"/> Approval <input type="checkbox"/> Review <input type="checkbox"/> Construction

FEATURES

- All DC Inverter Technology
- Wide Application Range
- Flexible Control and Easy Maintenance
- 7 Speed
- Single Fan Motor
- Heating and Cooling
- High-lift Drain Pump
- Convenient Installation

SPECIFICATIONS

PERFORMANCE		
Nominal Cooling Capacity	Btu/h Kw	19,100 5.6
Nominal Heating Capacity	Btu/h Kw	21,500 6.3
ELECTRICAL DATA		
Power Supply	V/Ph/Hz	220-240/1/50-60
Power Input (10 Pa) Cooling	Kw	69
Power Input (10 Pa) Heating	Kw	69
Min. Voltage	Volts	198
Max. Voltage	Volts	264
MCA	Amp	0.90
MFA	Amp	15
FLA	Amp	0.72
GENERAL DATA		
Airflow rate 3	m3/h (CFM)	980 (577)
	m3/h (CFM)	925 (544)
	m3/h (CFM)	855 (503)
	m3/h (CFM)	800 (470)
	m3/h (CFM)	755 (444)
	m3/h (CFM)	702 (413)
	m3/h (CFM)	670 (394)
Sound pressure level 5	dB(A)	39
	dB(A)	37
	dB(A)	36
	dB(A)	35
	dB(A)	33
	dB(A)	31
	dB(A)	30
Dimension (Body)	Net (mm) Packed (mm)	1172×299×591 1355×400×675
Dimension (Panel)	Net (mm) Packed (mm)	1430×53×680 1525×130×765
Body Net/Gross weight	KG (Lbs)	35.0 / 43.5 77.2 / 95.9
Panel Net/Gross weight	KG (Lbs)	10.5 / 15.0 23.1 / 33.1
Refrigerant type		R410A
Design pressure (H/L)	Mpa	4.4 / 2.6
Refrigerant Pipe Connections (inch)	Gas Liquid	5/8" 3/8"
Drain Pipe (OD)	mm	32



Notes:

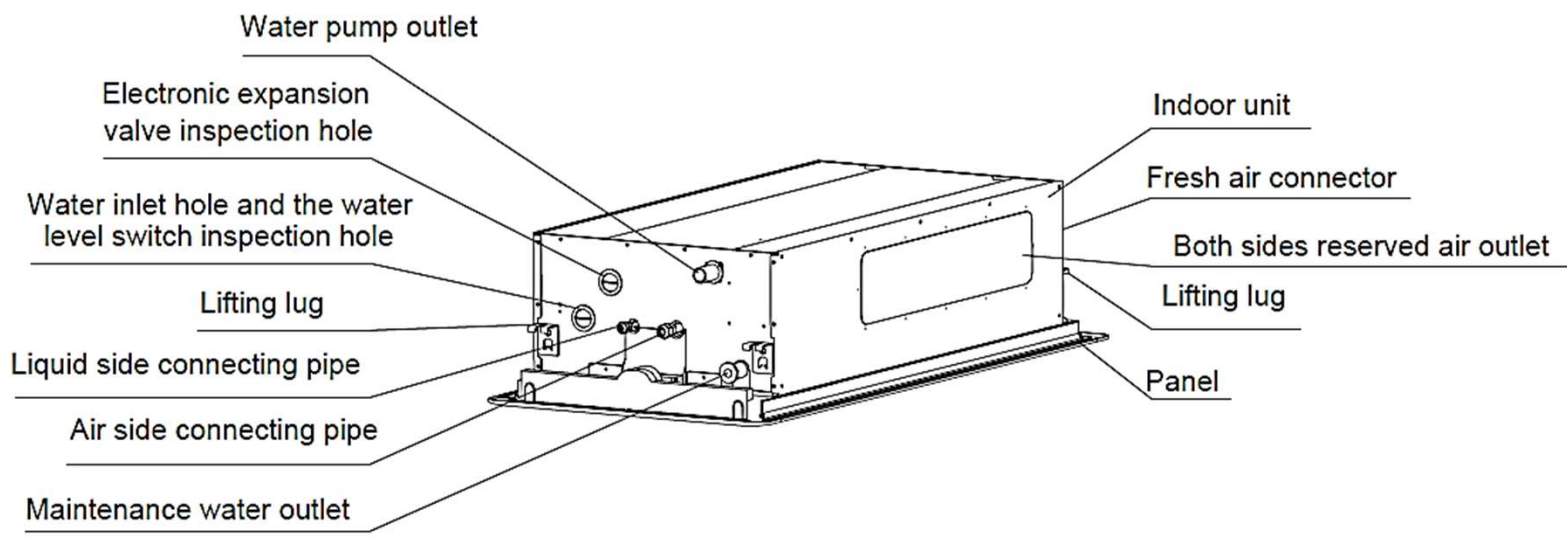
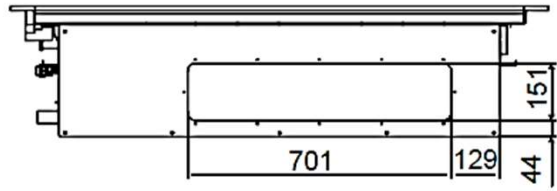
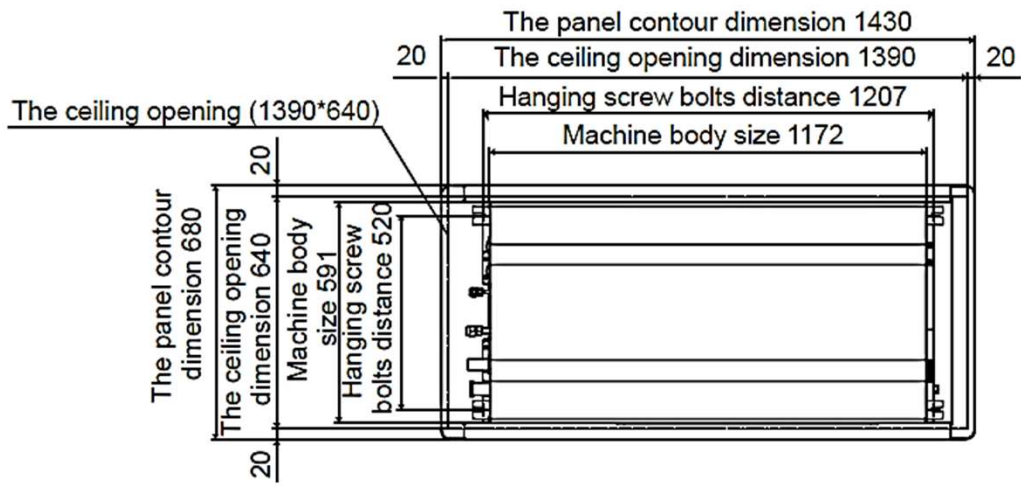
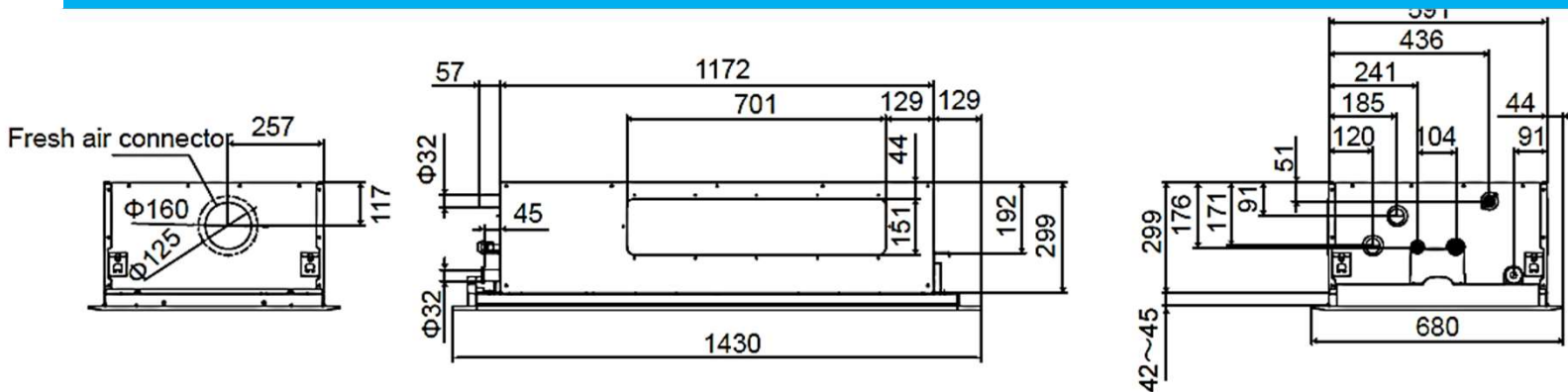
1. Indoor temperature 27°C DB, 19°C WB; outdoor temperature 35°C DB; equivalent refrigerant piping length 7.5m with zero level difference.
2. Indoor temperature 20°C DB; outdoor temperature 7°C DB, 6°C WB; equivalent refrigerant piping length 7.5m with zero level difference.
3. Fan motor speed and air flow rate are from the highest speed to the lowest speed, total 7 rates for each model.
4. Sound pressure level is from highest level to lowest level, total 7 levels for each model. Sound pressure level is measured 1.4m below the unit in a semi-anechoic chamber.
5. Unit body dimensions given are the largest external dimensions of the unit, including hanger attachments.

OPTIONAL ACCESSORIES

Wireless Thermostat CTVS-C-WL05B (not included)

Note – Due to Comfort Time ongoing commitment to quality, specifications, ratings and dimensions are subject to change without notice and without incurring liability. Improper installation, adjustment, alteration, service, Maintenance and operation may cause properly damage on personal injury. Installation, service and operation must be performed by a qualified installer, servicing and operation agency.

DIMENSIONAL DRAWINGS - INCHES (MM)



Note – Due to Comfort Time ongoing commitment to quality, specifications, ratings and dimensions are subject to change without notice and without incurring liability. Improper installation, adjustment, alteration, service, Maintenance and operation may cause properly damage on personal injury. Installation, service and operation must be performed by a qualified installer, servicing and operation agency.