

Job: _____	Engineer: _____
Location: _____	Architect: _____
Schedule No.: _____	Date: _____
System Designation: _____	For: <input type="checkbox"/> Reference <input type="checkbox"/> Approval <input type="checkbox"/> Review <input type="checkbox"/> Construction

FEATURES

- All DC Inverter Technology
- 7 Speed
- High-lift Drain Pump
- Wide Application Range
- Single Fan Motor
- Flexible Control and Easy Maintenance
- Heating and Cooling
- Convenient Installation

SPECIFICATIONS

PERFORMANCE		
Nominal Cooling Capacity	Btu/h	9,600
	Kw	2.8
Nominal Heating Capacity	Btu/h	10,900
	Kw	3.2
ELECTRICAL DATA		
Power Supply	V/Ph/Hz	220-240/1/50-60
Power Input (10 Pa) Cooling	Kw	40
Power Input (10 Pa) Heating	Kw	40
Min. Voltage	Volts	198
Max. Voltage	Volts	264
MCA	Amp	0.41
MFA	Amp	15
Rated Motor Output	Kw	0.08
FLA	Amp	0.33
GENERAL DATA		
Airflow rate 3	m3/h (CFM)	801 (471)
	m3/h (CFM)	751 (442)
	m3/h (CFM)	711 (418)
	m3/h (CFM)	658 (387)
	m3/h (CFM)	637 (375)
	m3/h (CFM)	611 (360)
	m3/h (CFM)	542 (319)
Sound pressure level 5	dB(A)	32
	dB(A)	31
	dB(A)	30
	dB(A)	28
	dB(A)	28
	dB(A)	26
	dB(A)	23
Body Net/Gross weight	KG (Lbs)	21.3 (47)/25.8 (56.9)
Panel Net/Gross weight	KG (Lbs)	5.8 (12.9)/7.9 (17.4)
Refrigerant type		R410A
Design pressure (H/L)	Mpa	4.4 / 2.6
Refrigerant Pipe Connections (inch)	Gas	1/4"
	Liquid	1/2"
Drain Pipe	inch	1-17/64"



Notes:

1. Indoor temperature 27°C DB, 19°C WB; outdoor temperature 35°C DB; equivalent refrigerant piping length 7.5m with zero level difference.
2. Indoor temperature 20°C DB; outdoor temperature 7°C DB, 6°C WB; equivalent refrigerant piping length 7.5m with zero level difference.
3. Air flow rate are from the highest speed to the lowest speed, total 7 rates for each model.
4. Sound pressure level is from highest level to lowest level, total 7 levels for each model. Sound pressure level is measured 1.4m below the unit in a semi-anechoic chamber.
5. Unit body dimensions given are the largest external dimensions of the unit, including hanger attachments.

OPTIONAL ACCESSORIES

Wireless Thermostat CTVS-C-WL05B (not included)

Note – Due to Comfort Time ongoing commitment to quality, specifications, ratings and dimensions are subject to change without notice and without incurring liability. Improper installation, adjustment, alteration, service, Maintenance and operation may cause properly damage on personal injury. Installation, service and operation must be performed by a qualified installer, servicing and operation agency.

DIMENSIONAL DRAWINGS - INCHES (MM)

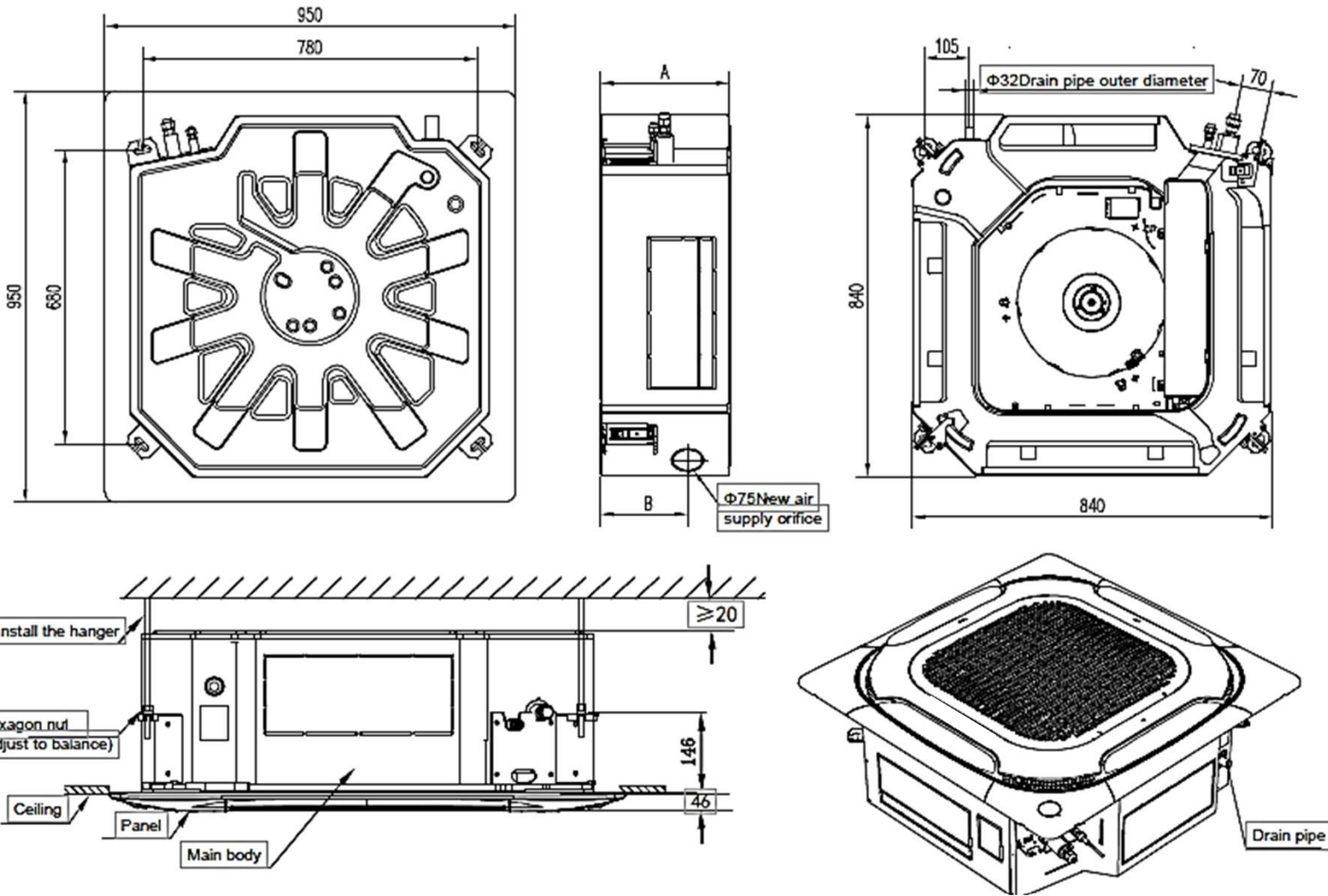


Table 2.1: Four-way Cassette dimensions

Model names	Dimensions (mm)	
	A	B
CTVS-I4C-X-010-A-CE-DC-1	230	126
CTVS-I4C-X-012-A-CE-DC-1		
CTVS-I4C-X-015-A-CE-DC-1		
CTVS-I4C-X-019-A-CE-DC-1		
CTVS-I4C-X-024-A-CE-DC-1		
CTVS-I4C-X-027-A-CE-DC-1		
CTVS-I4C-X-030-A-CE-DC-1	300	197
CTVS-I4C-X-034-A-CE-DC-1		
CTVS-I4C-X-038-A-CE-DC-1		
CTVS-I4C-X-048-A-CE-DC-1		
CTVS-I4C-X-055-A-CE-DC-1	300	200

Table 2.2: Four-way Cassette piping connections

Model names	Gas pipe mm (inch)	Liquid pipe mm (inch)
CTVS-I4C-X-010-A-CE-DC-1	$\Phi 12.7$ (1/2")	$\Phi 6.35$ (1/4")
CTVS-I4C-X-012-A-CE-DC-1		
CTVS-I4C-X-015-A-CE-DC-1		
CTVS-I4C-X-019-A-CE-DC-1	$\Phi 15.9$ (5/8")	$\Phi 9.53$ (3/8")
CTVS-I4C-X-024-A-CE-DC-1		
CTVS-I4C-X-027-A-CE-DC-1		
CTVS-I4C-X-030-A-CE-DC-1		
CTVS-I4C-X-034-A-CE-DC-1		
CTVS-I4C-X-038-A-CE-DC-1		
CTVS-I4C-X-048-A-CE-DC-1		
CTVS-I4C-X-055-A-CE-DC-1		

Note – Due to Comfort Time ongoing commitment to quality, specifications, ratings and dimensions are subject to change without notice and without incurring liability. Improper installation, adjustment, alteration, service, Maintenance and operation may cause properly damage on personal injury. Installation, service and operation must be performed by a qualified installer, servicing and operation agency.