

Job: _____ Engineer: _____
 Location: _____ Architect: _____
 Schedule No.: _____ Date: _____
 System Designation: _____ For: Reference Approval Review Construction

FEATURES

- All DC Inverter Technology
- Golden Fin
- 3.5 mts Power Cable
- Wide Application Range
- 3mts Aluminum-cooper Refrigerant Piping
- Flexible Control and Easy Maintenance
- Cooling Only
- Convenient Installation

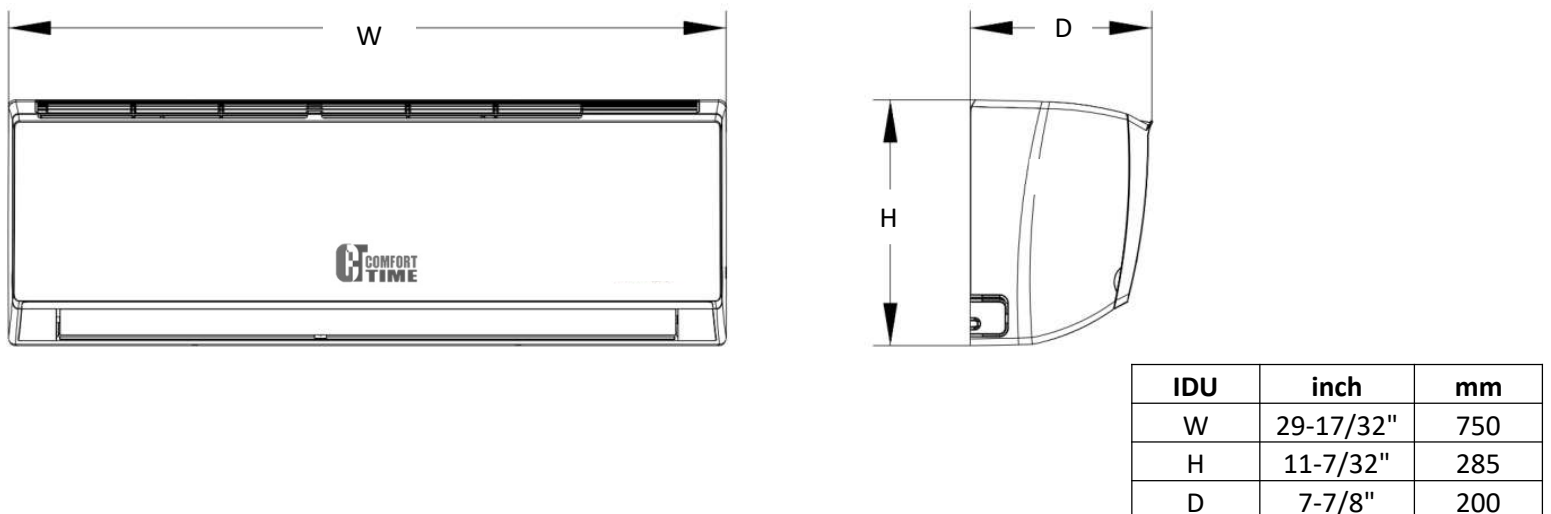
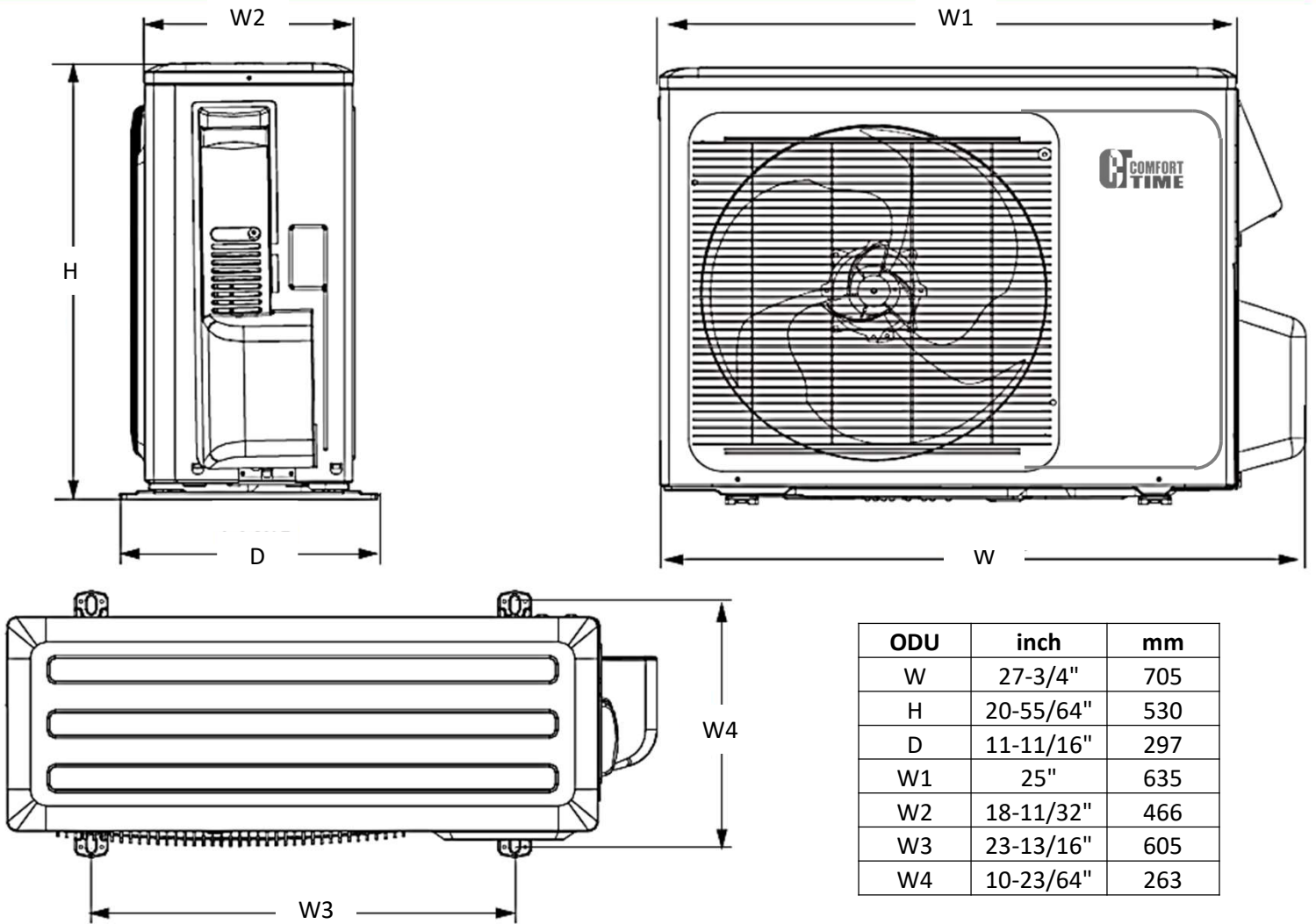
Indoor Unit Model		ECTI-12F0417		
Outdoor Unit Model		ECTO-12F0417		
Nameplate Parameter	Rated Capacity	W	3500 (800-4100)	
		Btu/h	11,942	
		Kg/h	1	
	Rated Cooling	W	1250 (100-1550)	
		A	5.8(0.7-8.5)	
	ELECTRICAL DATA			
	Max. Input Power	W	1550	
	Max. Input Current	A	8.5	
	EER Cooling	W/W	17	
	Power supply source	V/Ph/Hz	208~230V/1/60Hz	
	GENERAL DATA			
	Refrigerant	Type		R410A
		Charged	g	520
	Max. Discharge Pressure	Mpa		4.15
Max. Suction Pressure	Mpa		1.15	
Air Flow Volume	m3/h		560	
	cfm		328	
Noise level	dB (A)		41 ~ 51	
Indoor unit ECTI	Dimension Inner size	Net Dimension (WidthxDepthxHeight)	mm 750x285x200	
		Packing Dimension (WidthxDepthxHeight)	mm 800x345x265	
	Indoor unit weight (Net)	Kg		8
Outdoor unit ECTO	Dimension External machine size	Net Dimension (WidthxDepthxHeight)	mm 705x279x530	
		Packing Dimension (WidthxDepthxHeight)	mm 825x345x595	
	Outdoor unit weight (Net)	Kg		21.5
Container Loading 40HC Packing quantity		set	282	



OPTIONAL ACCESSORIES

Wi-Fi USB (not included)

DIMENSIONAL DRAWINGS - INCHES (MM)



Note – Due to Comfort Time ongoing commitment to quality, specifications, ratings and dimensions are subject to change without notice and without incurring liability. Improper installation, adjustment, alteration, service, Maintenance and operation may cause properly damage on personal injury. Installation, service and operation must be performed by a qualified installer, servicing and operation agency.