

**Job:** \_\_\_\_\_ **Engineer:** \_\_\_\_\_  
**Location:** \_\_\_\_\_ **Architect:** \_\_\_\_\_  
**Schedule No.:** \_\_\_\_\_ **Date:** \_\_\_\_\_  
**System Designation:** \_\_\_\_\_ **For:** Reference Approval Review Construction

**FEATURES**

- All DC Inverter Technology
- Wide Application Range
- Flexible Control and Easy Maintenance
- Golden Fin
- 3mts Aluminum-cooper Refrigerant Piping
- Cooling Only
- 3.5 mts Power Cable
- Convenient Installation

<b>Indoor Unit Model</b>		<b>ECTI-18F0417</b>		
<b>Outdoor Unit Model</b>		<b>ECTO-18F0417</b>		
<b>Nameplate Parameter</b>	<b>Rated Capacity</b>	W	5275 (1300-5600)	
		Btu/h	17,999	
		Kg/h	1.6	
	<b>Rated Cooling</b>	W	1700(500-1800)	
		A	7.2(2.3-8)	
	<b>ELECTRICAL DATA</b>			
	<b>Max. Input Power</b>	W	1900	
	<b>Max. Input Current</b>	A	11	
	<b>EER Cooling</b>	W/W	SEER17	
	<b>Power supply source</b>	V/Ph/Hz	208~230V/1/60Hz	
	<b>GENERAL DATA</b>			
	<b>Refrigerant</b>	<b>Type</b>		R410
		<b>Charged</b>	g	1000
	<b>Max. Discharge Pressure</b>	Mpa	4.15	
	<b>Max. Suction Pressure</b>	Mpa	1.15	
<b>Air Flow Volume</b>	m3/h	800		
	cfm	468		
<b>Noise level</b>	dB (A)	46 ~ 53		
<b>Indoor unit ECTI</b>	<b>Dimension Inner size</b>	<b>Net Dimension (WidthxDepthxHeight)</b>	mm 900x310x225	
		<b>Packing Dimension (WidthxDepthxHeight)</b>	mm 970x382x302	
	<b>Indoor unit weight (Net)</b>	Kg	12	
<b>Outdoor unit ECTO</b>	<b>Dimension External machine size</b>	<b>Net Dimension (WidthxDepthxHeight)</b>	mm 785x300x555	
		<b>Packing Dimension (WidthxDepthxHeight)</b>	mm 888x367x590	
	<b>Outdoor unit weight (Net)</b>	Kg	27	
<b>Container Loading 40HC Packing quantity</b>		set	211	

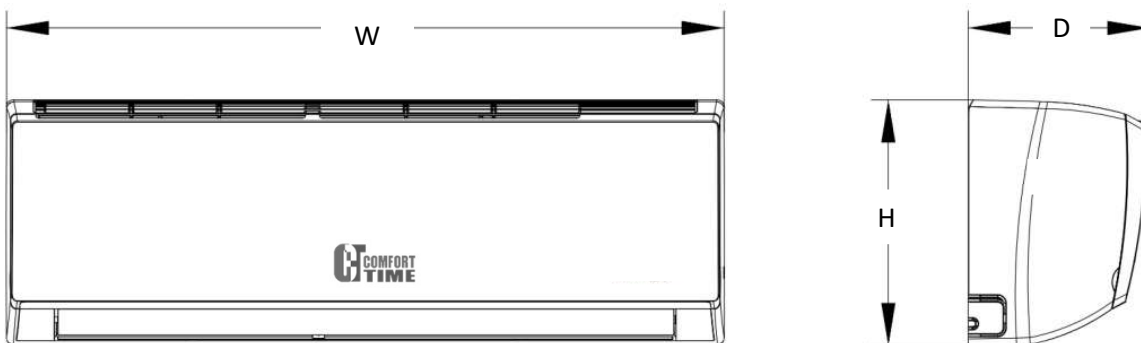
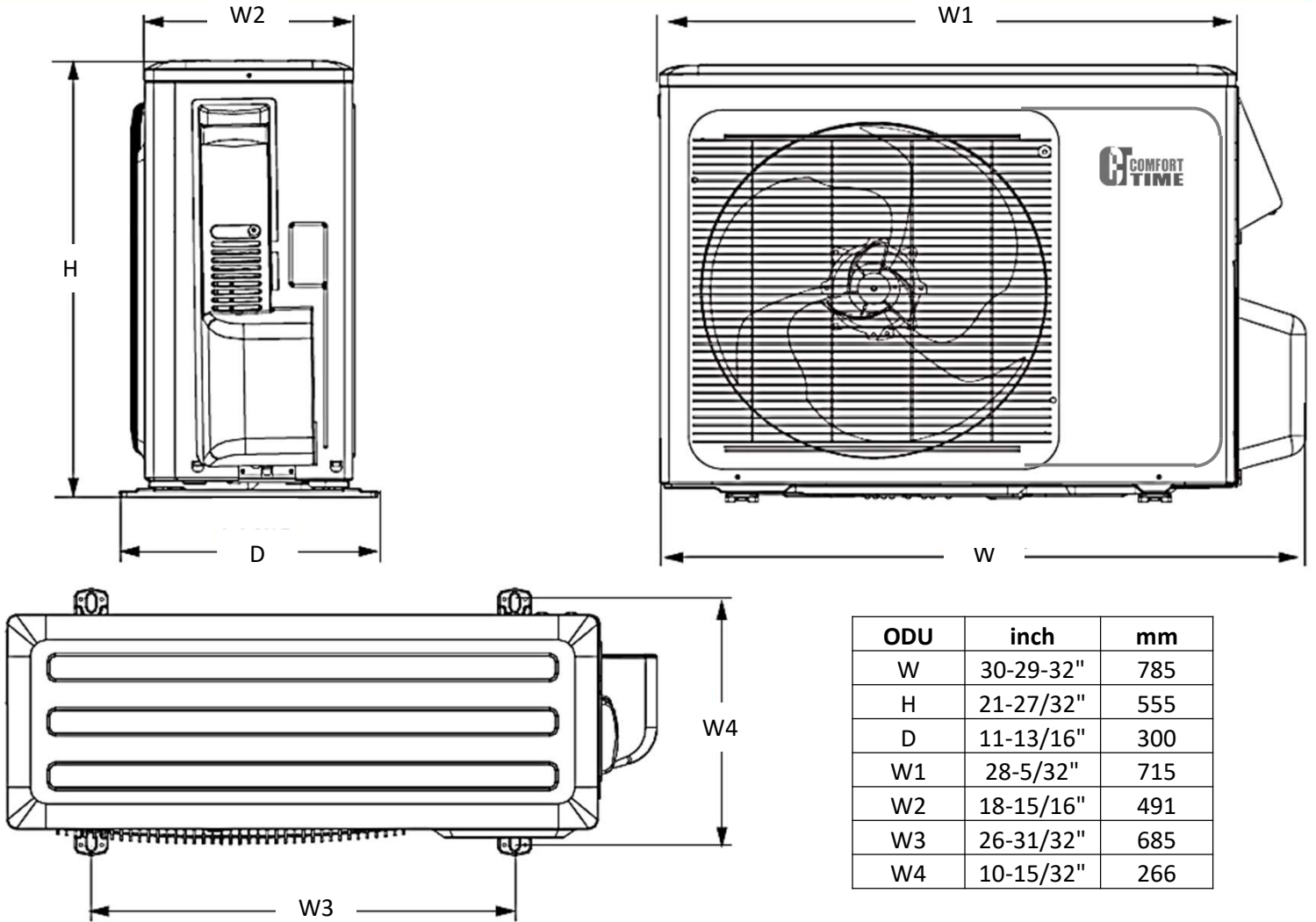


**OPTIONAL ACCESSORIES**

Wi-Fi USB (not included)

Note – Due to Comfort Time ongoing commitment to quality, specifications, ratings and dimensions are subject to change without notice and without incurring liability. Improper installation, adjustment, alteration, service, Maintenance and operation may cause properly damage on personal injury. Installation, service and operation must be performed by a qualified installer, servicing and operation agency.

**DIMENSIONAL DRAWINGS - INCHES (MM)**



IDU	inch	mm
W	35-7/16"	900
H	12-13/64"	310
D	8-55/64"	225

Note – Due to Comfort Time ongoing commitment to quality, specifications, ratings and dimensions are subject to change without notice and without incurring liability. Improper installation, adjustment, alteration, service, Maintenance and operation may cause properly damage on personal injury. Installation, service and operation must be performed by a qualified installer, servicing and operation agency.