



SUBMITTAL DATA – ROOFTOP PACKAGE UNIT

CTPU-C-360-C-MM-1

SCROLL COMPRESSOR

Job:	Engineer:
Location:	Architect:
Schedule No.:	Date:
System Designation:	For: <input type="checkbox"/> Reference <input type="checkbox"/> Approval <input type="checkbox"/> Review <input type="checkbox"/> Construction

FEATURES

- Horizontal supply and return air.
- Reliable scroll compressor.
- Easy to installation
- Durable construction with pre-painted exterior cabinet with 1000 hours salt spray test
- Adjustable pulley (indoor Fan)
- Cooling Only
- Compatible with 3rd party 24V thermostat
- System self-diagnostic
- Wired Controller CTVS-C-KJR25B included

Model		CTPU-C-360-C-MM-1	
Cooling Performance Data	Total Cooling Capacity	Btu/h	358,300
	Sensible Cooling Capacity	Btu/h	270,000
	Cooling Power Input	kW	37.30
	EER		9.6
	Cooling Outdoor DB	°F	95
	Cooling Indoor DB/WB	°F/°F	80 / 67
	Supply Air Temp. DB/WB	°F/°F	55.6 / 67
Supply Fan Performance Data	Supply Air Flow	CFM	11,000
	Supply Motor RPM		1,130
	ESP	in.wg	1.08
	Supply Motor Power	HP	10.05
	Fan Type/Qty.		Centrifugal / 2
	Supply Motor Qty.		1
	Drive Type		Belt
General Data	Refrigerant Type		R410a
	Compressors Type/Brand		Scroll/Danfoss
	No. of Compressors		2
	No. of Stages		2
	Throttle Device		Capillary
	Net Dimension WxHxD	inch	91.3" x 49.0" x 87.4"
	Package Dimension WxHxD	inch	91.7" x 50.2" x 87.8"
	Net Weight	Lbs	2,068
	Gross Weight	Lbs	2,134
Sound Pressure Level	dB(A)	81.0	
Electrical Data	Power Supply		220V,3Ph,60Hz
	MCA	Amp	142.1
	MOP	Amp	185.3
	Compressor RLA	Amp	43.3A + 43.3A
	Compressor LRA	Amp	315A + 315A
	Supply Fan FLA	Amp	26.7
	Condenser Fan FLA	Amp	9.0A + 9.0A
	Condenser Fan Motor Power	HP	2.95hp + 2.95hp



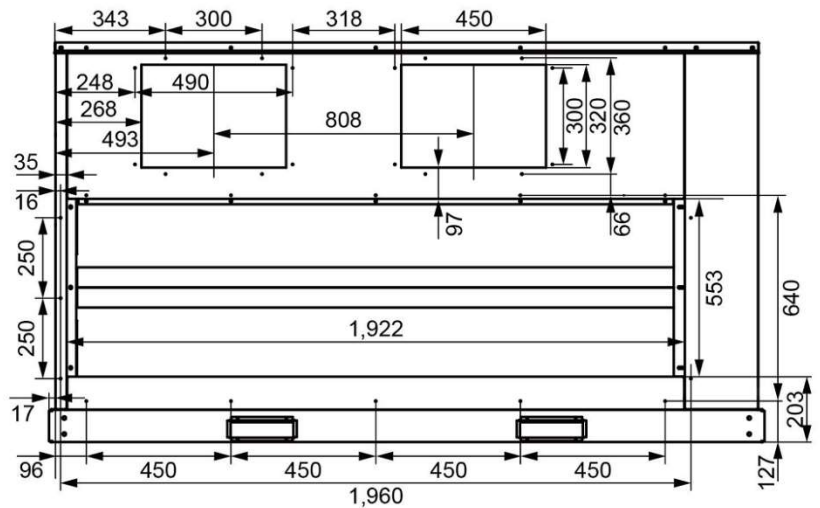
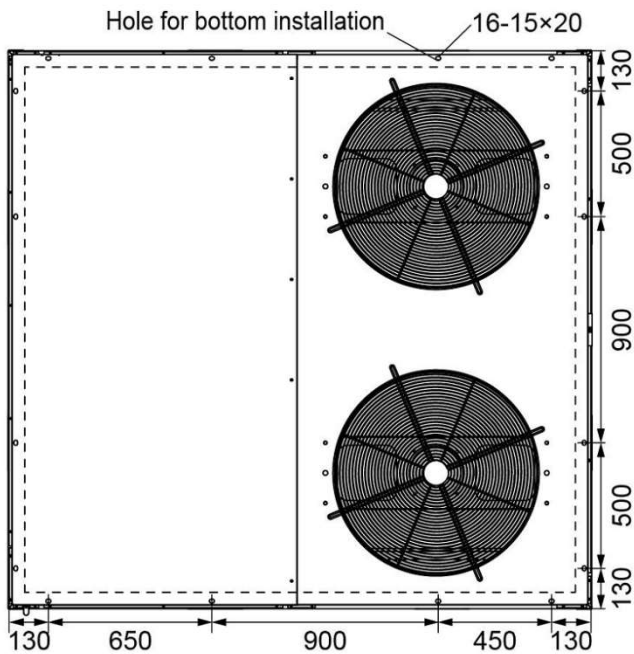
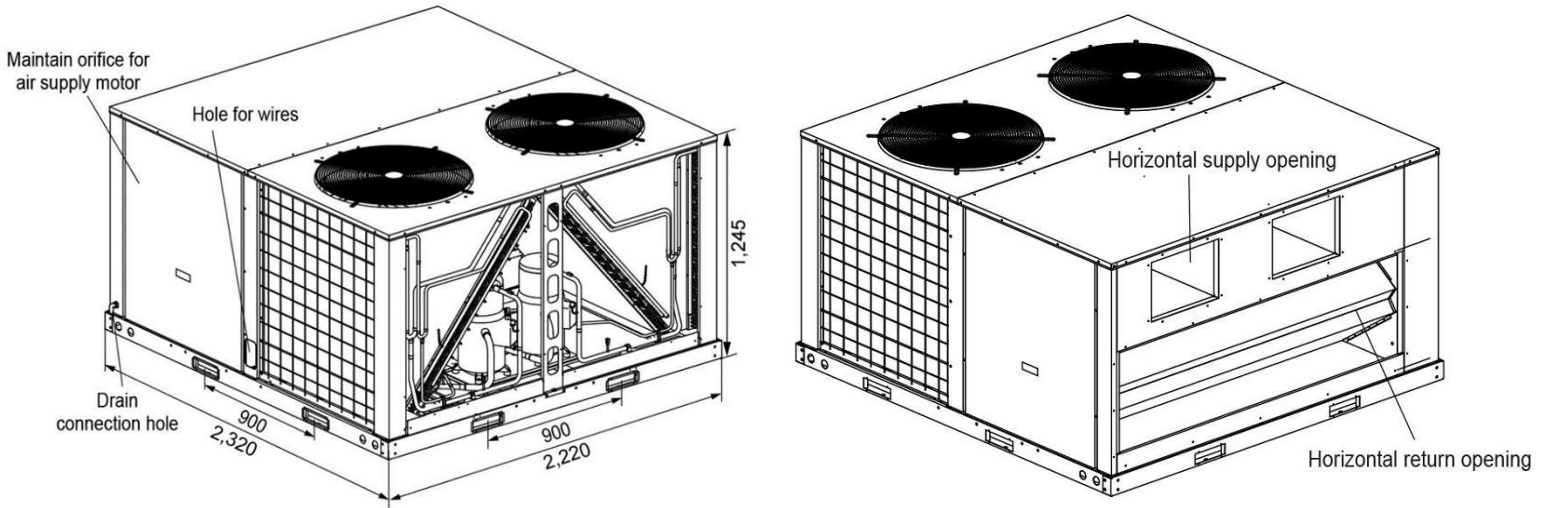
Wired Controller CTVS-C-KJR12B (Included)

OPTIONAL ACCESSORIES (not included)

- Wired Controller CTVS-C-KJR-29B
- Wired Controller CTVS-C-25B
- Central Control Interface NIM01
- Central Controller CTVS-C-CCM30
- G2 Filter CTVS-C-KQGLW-870A

Note – Due to Comfort Time ongoing commitment to quality, specifications, ratings and dimensions are subject to change without notice and without incurring liability. Improper installation, adjustment, alteration, service, Maintenance and operation may cause properly damage on personal injury. Installation, service and operation must be performed by a qualified installer, servicing and operation agency.

DIMENSIONAL DRAWINGS - (MM)



Note – Due to Comfort Time ongoing commitment to quality, specifications, ratings and dimensions are subject to change without notice and without incurring liability. Improper installation, adjustment, alteration, service, Maintenance and operation may cause properly damage on personal injury. Installation, service and operation must be performed by a qualified installer, servicing and operation agency.