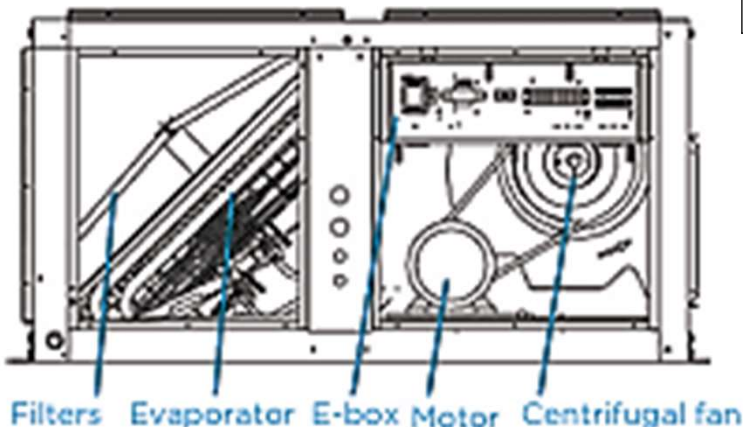


## FEATURES

- ◆ 7.5ton and 10ton, dual circuits design, standard with TXV.
- ◆ Variable speed pulley. ESP up to 0.6/0.8-inch WG.
- ◆ Flexible installation, horizontal installation and vertical installation are available.
- ◆ 24V universal communication, compatible with 24V condenser units
- ◆ Easy maintenance, Inlet & outlet pipe of evaporator, control box, fan and motor are in same side.

(\*) 15ton / 20ton / 25ton will be available 2025

Max actual pipe length (L)		m	50
Height difference between indoor and outdoor unit (H)	Outdoor (upper)	m	25
	Outdoor (lower)	m	30





# Universal AHU

2 model: 7.5ton/10ton (\*)

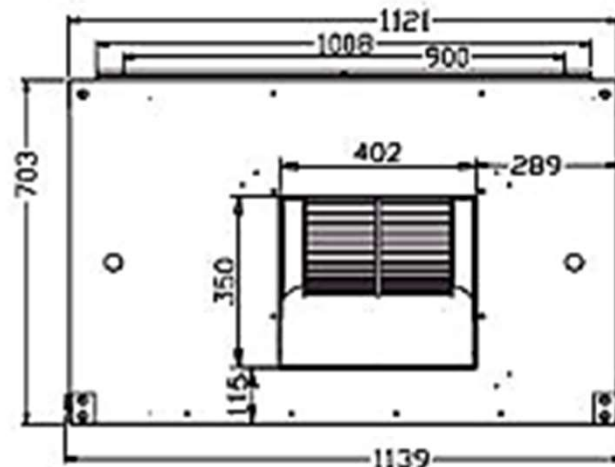
Flexible installation: Vertical, Horizontal

ESP can be adjusted

## SPECIFICATIONS

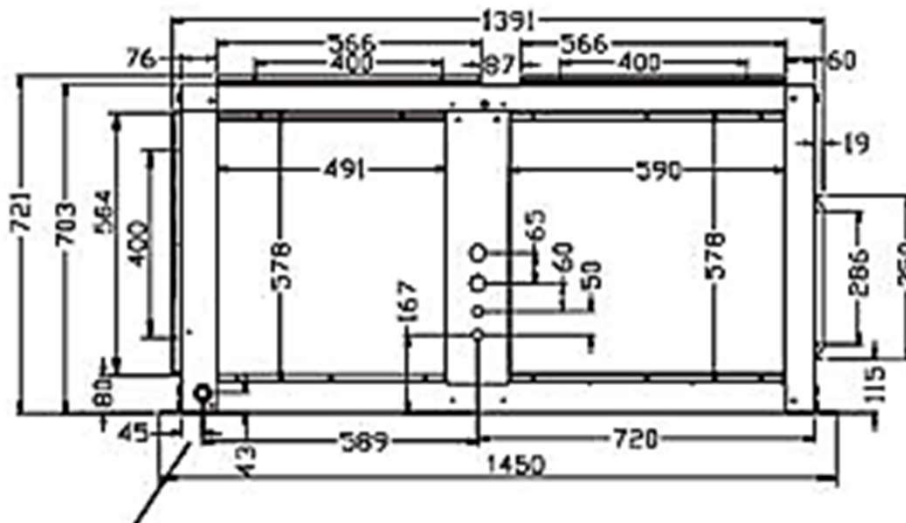
Model			CTLSEU090C1	CTLSEU120C1
Cooling	Nominal capacity	Kw	26.4	35.2
		Btu/h	88,700	119,400
	Power Input	Kw	10.5	14.1
Heating	Nominal capacity	Kw	27.7	36.9
		Btu/h	94,400	125,900
	Power Input	Kw	10.3	13.8
Power Supply			220V / 3Ph / 60 Hz	220V / 3Ph / 60 Hz
Refrigerant Type			R410a	R410a
Air Flow		CFM	3,000 @ 0.25 inch-H2O	4,000 @ 0.25 inch-H2O
External Static pressure range		inch-H2O	0.1 - 0.6	0.1 - 0.8
Noise Level		dB(A)	56	60
Evaporator Type			Copper tube with aluminum fins	
Fan Type			Centrifugal/Belt	Centrifugal/Belt
Controller			Wired (optional)	Wired (optional)
Filter Type			Nylon	Nylon
Dimension	Net (WxHxD)	inch	44-7/8 x 28-3/8 x 57-1/8	44-7/8 x 28-3/8 x 57-1/8
		mm	1,139 x 721 x 1,450	1,139 x 721 x 1,450
	Packing (WxHxD)	inch	45-1/16 x 34-1/8 x 57-7/8	45-1/16 x 34-1/8 x 57-7/8
		mm	1,145 x 867 x 1,470	1,145 x 867 x 1,470
Weight	Net	Lbs	375	375
		Kg	170	170
	Gross	Lbs	443	443
		Kg	201	201
Pipe Connections	Liquid pipe	mm	16	16
		inch	5/8"	5/8"
		Qty	1	1
	Gas pipe	mm	28	28
		inch	1-1/8"	1-1/8"
		Qty	1	1

Note: Specification are draft versions and subject to change after product launch



Front view (Air supply outlet)

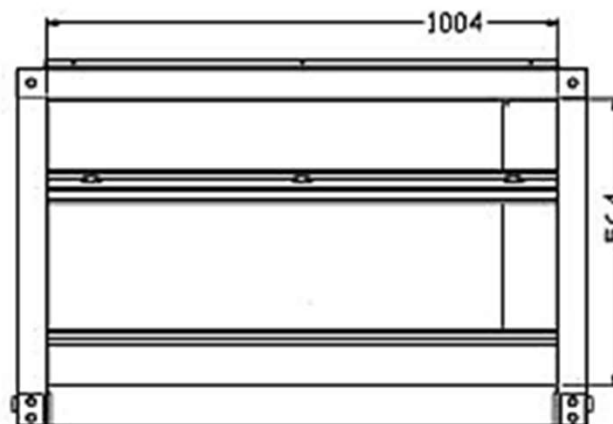
Fig.3-12



3/4" NPT FEMALE

Side view (Pipes)

Fig.3-13

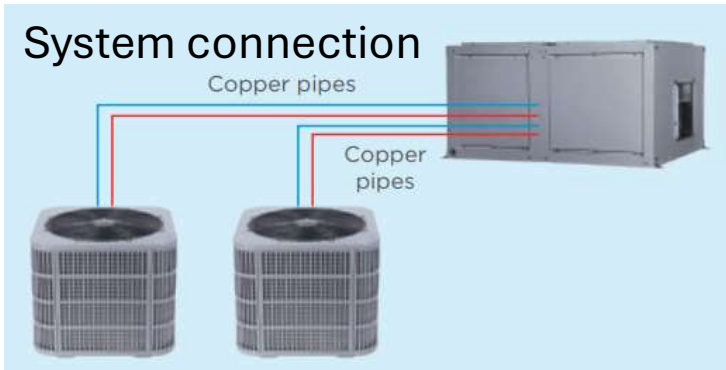


Rear view (Air return vent)

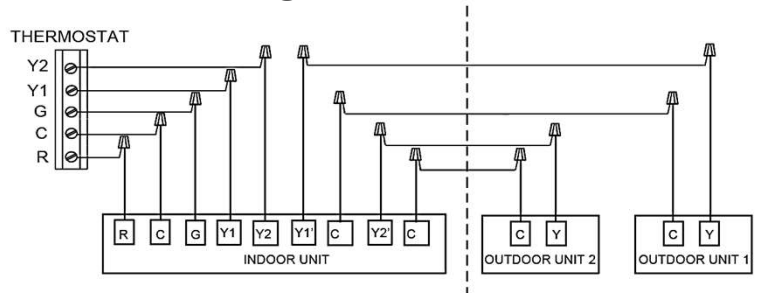
Fig.3-14

## Connection method 1 With two condensers (24V control)

### System connection

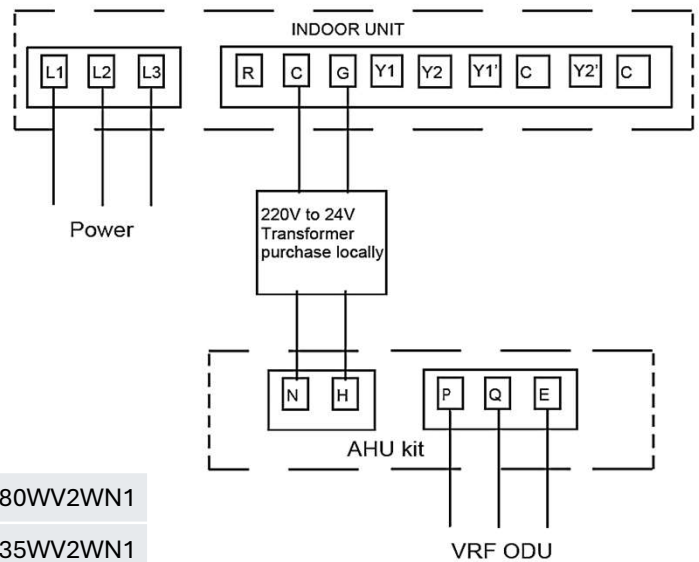
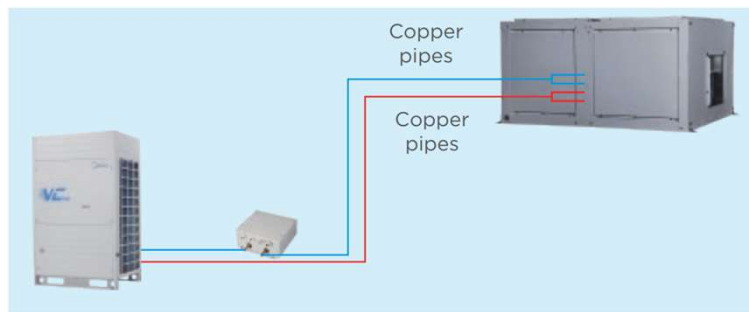


### Wiring connection



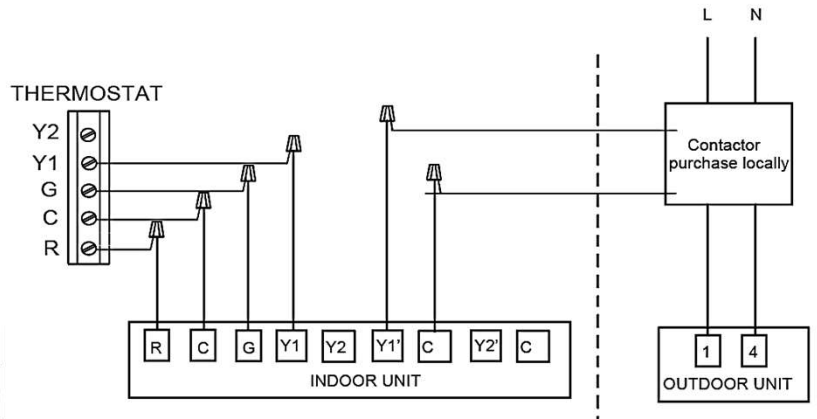
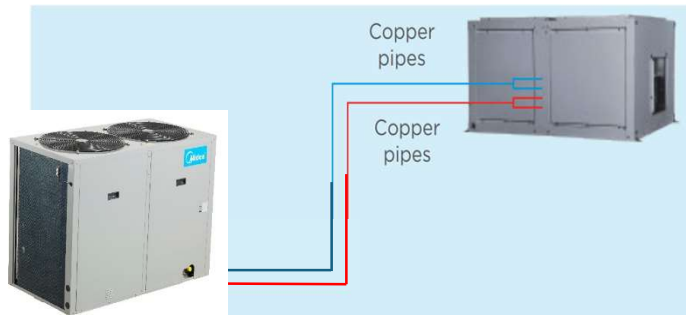
## Connection method 2

With VRF and AHU kit



Cooling only VRF	220V-3N~60Hz	96K	MVC-280WV2WN1
		120K	MVC-335WV2WN1

## Connection method 3 With one condenser (220V control)



Condenser (220V control)	208-230V-3N~60Hz	96K	MOV-96CN
		120K	MOV-120CI